

MAX-8



MAX-8

Excellent Performances & Reliability

CPQD30-35T8

T8 series 2.0-3.5t forklift

AAAS
Handling Equipment

ARAS Developments FZE

Warehouse No. FZS1BK06,
JAFZ, Dubai - United Arab Emirates
T: +971 4 887 6602

W: www.arasfze.com



CPC(Q)D30/35T8

T8 series 3.0-3.5t forklift specification

General		EP																																						
1 Manufacture		CPCD30T8-S4S			CPCD30T8-C490			CPCD30T8-A498			CPCD30T8-C240			CPCD30T8-TD27			CPCD30T8-GK25			CPCD35T8-S4S			CPCD35T8-A498			CPCD35T8-TD27			CPCD35T8-GK25											
3	Power type	Diesel												Gasoline			Diesel			Diesel			Diesel			Gasoline			Diesel											
4	Rated capacity	3000												3500			3500			3500			3500			3500			3500											
5	Load center	500												500			500			500			500			500			500											
6	Lift height	3000												3000			3000			3000			3000			3000			3000											
7	Free lift height	120												120			120			120			120			120			120											
8	Fork size	1070x125x45												1070x125x45			1070x125x45			1070x125x45			1070x125x45			1070x125x50			1070x125x50											
9	Mast tilt range	F/R												F/R			F/R			F/R			F/R			F/R			F/R											
10	Fork overhang(wheel center to fork face)	481												481			481			481			481			481			481											
11	Rear overhang	590												590			590			590			590			590			590											
12	Length to face of fork	2762												2762			2762			2762			2762			2822			2822											
13	Overall dimensions	Overall width												Overall width			Overall width			Overall width			Overall width			Overall width														
14	Mast lowered height	2070												2070			2070			2070			2070			2070														
15	Mast extended height	4210												4210			4210			4210			4210			4210														
16	Overhead guard height	2180												2180			2180			2180			2180			2180														
17	Turning radius(outside)	2450												2450			2450			2450			2510			2510														
18	Min.right angle stacking aisle width (Add load length and clearance)	2950												2950			2950			2950			3010			3010														
19	Travel (No load)	20												20			20			20			20			20														
20	Speed	400												400			400			400			400			400														
21	Lifting (Full load)	400												400			400			400			400			400														
22	Max.Drawbar Pull (Full load)	N												21000			21000			21000			21000			21500			21500											
23	Max.Gradeability (Full load)	%												20			20			20			20			20			20											
24	Types	Front												Front			Front			Front			Front			Front														
25	Rear	6.50-10-10PR												6.50-10-10PR			6.50-10-10PR			6.50-10-10PR			6.50-10-10PR			6.50-10-10PR														
26	Tread	1010												1010			1010			1010			1010			1010														
27	Wheelbase	980												980			980			980			980			980														
28	Ground clearance	140												140			140			140			140			140														
29	Wheelbase center	175												175			175			175			175			175														
30	Self weight	Kg												4450			4450			4450			4450			4700			4700											
31	Full load	6488												6488			6488			6488			7134			7134														
32	Weight Distribution	Front												Front			Front			Front			Front			Front														
33	Rear	962												962			962			962			1066			1066														
34	No load	1810												1810			1810			1810			1927			1927														
35	Battery	V/Ah												1260			1260			1260			1260			1260														
36	Voltage/Capacity(20HR)	S4S-DPEU2												C490BPG-25			A498BT1-39			C240			TD27			GK25			S4S-DPEU2			A498BT1-39			TD27					
37	Manufacturer	Mitsubishi												XIN CHAI			ISUZU			GCT			GCT			Mitsubishi			XIN CHAI			GCT								
38	Rated output/r.p.m	kw												35.3/2250			36.8/2650			36.8/2400			34.5/2500			38.5/2300			37.4/2300			35.3/2250			36.8/2400			38.5/2300		
39	Rated torque/r.p.m	N.m												177/1700			156/1700-1900			186/1600-1800			139/1800			160/2300			176.5/1600			177/1700			186/1600-1800			160/2300		
40	No. of cylinder	4												4			4			4			4			4			4			4								
41	Bore*Stroke	mm												94*120			80*105			95*105			88*102			96*92			89*100			94*120			95*105					
42	Displacement	cc												3331			2670			2980			2369			2663			2488			3331			2980					
43	Fuel tank capacity	L												70			60			70			60			75			70			60			75					
44	Manufacturer	OEM												OEM			OEM			OEM			OEM			OEM			OEM			OEM								
45	Type	Powershift												Powershift			Powershift			Powershift			Powershift			Powershift			Powershift											
46	Stage	1/1												1/1			1/1			1/1			1/1			1/1			1/1											
47	Operating pressure	Mpa												17.5			17.5			17.5			17.5			17.5			17.5											

1.Special lifting height available (2-stage mast :2.5m,2.7m,3.0m,3.3m,3.5m,3.7m,4m,4.3m,4.5m,5m. Full Free Duplex Mast 3.0m,3.3m,3.5m,3.6m. 3-stage mast : 4.3m,4.5m,4.8m,5m,5.5m,6m)
 2.Attachment available. 3.The specification in the table are for standard models only.For further information please contact us. 4.Specification are subject to change without notice.

3.0-3.5t T8 series mast: (pneumatic)

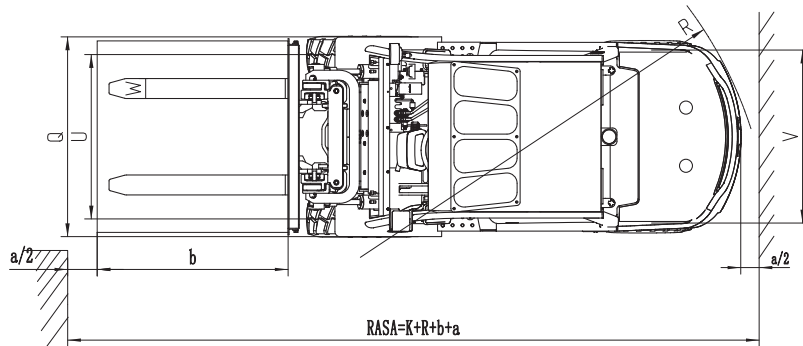
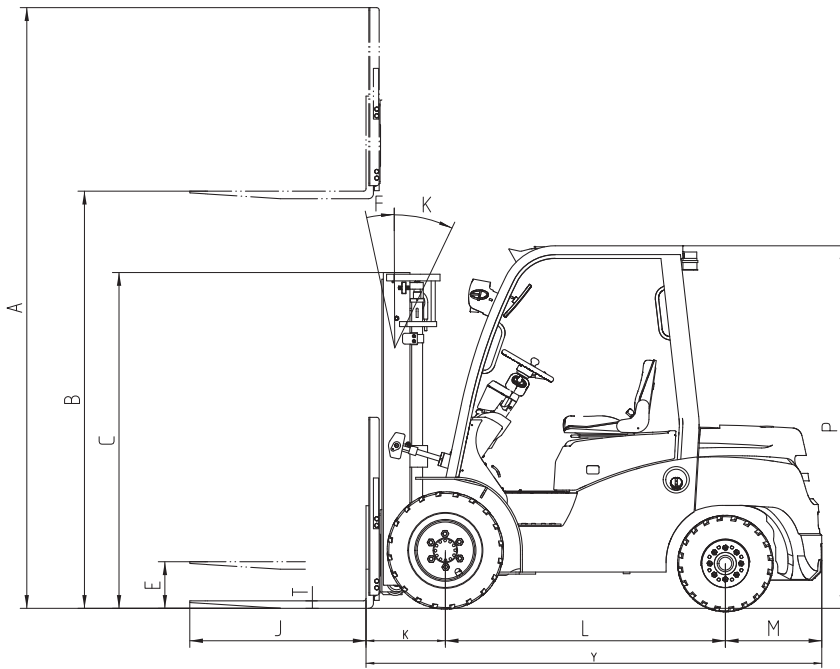
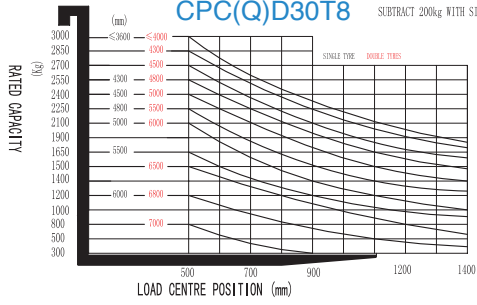
Type	Model	Max.fork height	Overall height				Free lift		Front Overhang		Tilt range		Capacity			
			Lowered	Extended		Without backrest	With backrest	3.0t	3.5t	FWD	BWD	Load capacity at 500 mm				
				Without backrest	With backrest							Single tire	Double tire	Single tire	Double tire	
				mm	mm							mm	mm	kg	kg	kg
Wide view mast	2W200	2000	1570	2570	3250	120	120	481	486	6	12	3000	3000	3500	3500	
	2W250	2500	1820	3070	3750	120	120	481	486	6	12	3000	3000	3500	3500	
	2W270	2700	1920	3270	3950	120	120	481	486	6	12	3000	3000	3500	3500	
	2W300	3000	2070	3570	4250	120	120	481	486	6	12	3000	3000	3500	3500	
	2W330	3300	2220	3690	4370	120	120	481	486	6	12	3000	3000	3500	3500	
	2W350	3500	2320	3890	4570	120	120	481	486	6	12	3000	3000	3500	3500	
	2W360	3600	2370	3990	4670	120	120	481	486	6	12	3000	3000	3500	3500	
	2W400	4000	2620	4040	4720	120	120	481	486	6	12	2850	3000	3250	3500	
	2W430	4300	2770	4340	5020	120	120	481	486	6	6	2700	2900	3000	3400	
2W450	4500	2870	4290	4970	120	120	481	486	6	6	2550	2850	2850	3350		
wide view full 2-stage mast	2F250	2500	1830	2220	2900	1210	560	481	486	6	12	3000	3000	3500	3500	
	2F270	2700	1930	2320	3000	1310	660	481	486	6	12	3000	3000	3500	3500	
	2F300	3000	2080	2620	3300	1460	810	481	486	6	12	3000	3000	3500	3500	
	2F330	3300	2230	3870	4550	1610	960	481	486	6	12	3000	3000	3500	3500	
	2F360	3600	2380	4020	4700	1760	1110	481	486	6	12	3000	3000	3500	3500	
	2F400	4000	2580	4420	5100	2060	1410	481	486	6	12	2850	3000	3250	3500	
wide view full 3-stage mast	3F430	4300	2055	4910	5570	1360	730	495	500	6	6	2550	2850	2850	3350	
	3F450	4500	2135	5070	5750	1460	810	495	500	6	6	2400	2700	2700	3200	
	3F480	4800	2240	5375	6050	1565	915	495	500	6	6	2250	2550	2450	2950	
	3F500	5000	2325	5570	6250	1610	960	495	500	6	6	1650	2250	2300	2800	
	3F550	5500	2575	6150	6830	1770	1120	495	500	3	6	1800	2250	1800	2550	
	3F600	6000	2825	6570	7250	2020	1370	495	500	3	6	1200	2100	1300	2300	

Note:1. With sideshifter minus 200Kg, with integral sideshifter minus 150Kg.

RATED CAPACITIES AND LOAD CENTERS GRAPH

CPC(Q)D30T8

SUBTRACT 200kg WITH SIDESHIFTER



Option

Options	20/25T8	30T8	35T8
1 Fork length	○	○	○
2 Fork extension	○	○	○
3 Folded fork	○	○	○
4 Imported diesel engine	○	○	○
5 Import Gasoline Engine	○	○	○
6 LPG system	○	○	○
7 High exhaust	○	○	○
8 Dual air clearers or special air cleaner	○	○	○
9 Solid rubber tire	○	○	○
10 No marking solid tire	○	○	○
11 Overhead guard	●	●	●
12 Mast options	○	○	○
13 Attachments	○	○	○
14 Integrated side shift	○	○	○
15 Cockpit	●	●	●
16 heater	○	○	○
17 Front windshield with wiper	○	○	○
18 Rear windshield with wiper	○	○	○
19 Fan	○	○	○
20 Full steel cabin room	○	○	○
21 LED front light	●	●	●
22 Rear working LED light	○	○	○
23 Fire extinguisher	○	○	○
24 Suspension seat	○	○	○
25 Seat switch	●	●	●
26 Warning light	●	●	●
27 Insulation mat	○	○	○
28 Double front tyre	○	○	○
29 OPS system	○	○	○

Note: ● standard ○ option — NA

